

Safety
Water and dust protected
EVA/C compliant

Certification and Approvals

Environmental
Operation temperature
Storage temperature
Relative humidity

Mechanical
Material
Color
Weight
Dimensions (H x W x D)

Electrical*
Maximum power
Rated power
Sound pressure level
at rated power / 1 W (1 kHz, 1 m)
Opening angle
at 1 kHz/4 kHz (-6dB)
Horizontal
Vertical
Effective frequency range (-10dB)
Rated voltage
Rated impedance
Connection
Connector
*Technical performance

acc. to EN 60065
acc. to EN 60529 IP 65
acc. to BS5839 part 8
acc. to EN 60849

< 95%
-25°C to + 55°C (-13°F to +131°F)
-40°C to + 70°C (-40°F to +158°F)

aluminum
white RAL 9010
2.9 kg (6.4 lb)
450 x 84 x 96 mm (17.7" x 3.3" x 3.8")

35 W
20 W (20 - 10 - 5 - 2.5 W)
105 dB / 92 dB
210° / 82°
82° / 24°
240 Hz to 16 kHz
500 Ohm and 8 Ohm
2 m 3-wire cable
3 pole screw terminal
acc. to IEC 60268-5

acc. to EN 60065
acc. to EN 60529 IP 65
acc. to BS5839 part 8
acc. to EN 60849

< 95%
-25°C to + 55°C (-13°F to +131°F)
-40°C to + 70°C (-40°F to +158°F)

aluminum
white RAL 9010
4.4 kg (9.7 lb)
750 x 84 x 96 mm (29.5" x 3.3" x 3.8")

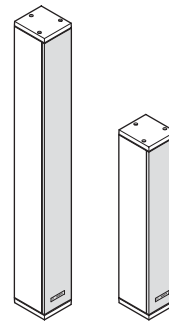
60 W
40 W (40 - 20 - 10 - 5 W)
112 dB / 96 dB
212° / 94°
40° / 12°
250 Hz to 16 kHz
100 V
250 Ohm and 8 Ohm
2 m 3-wire cable
3 pole screw terminal
acc. to IEC 60268-5

LA1-UM40E

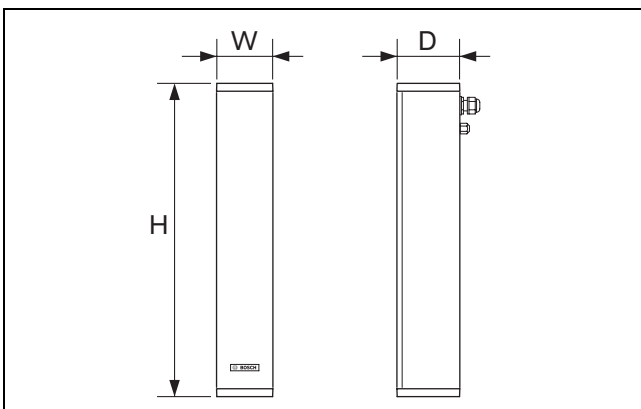
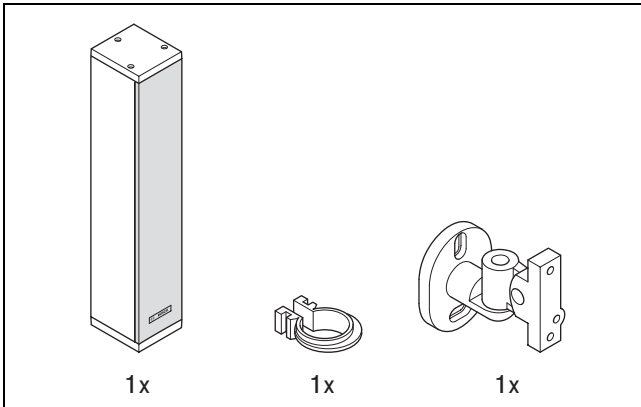
LA1-UM20E

TECHNICAL SPECIFICATIONS

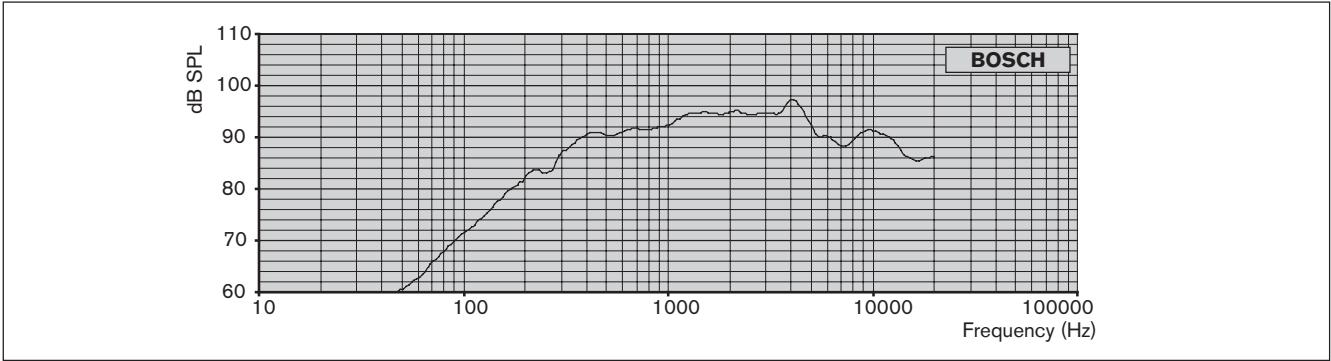
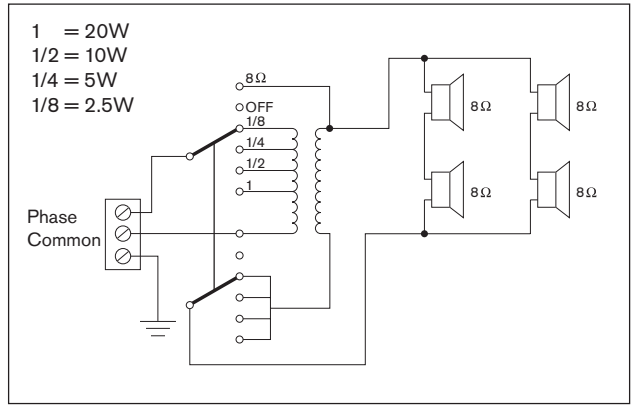
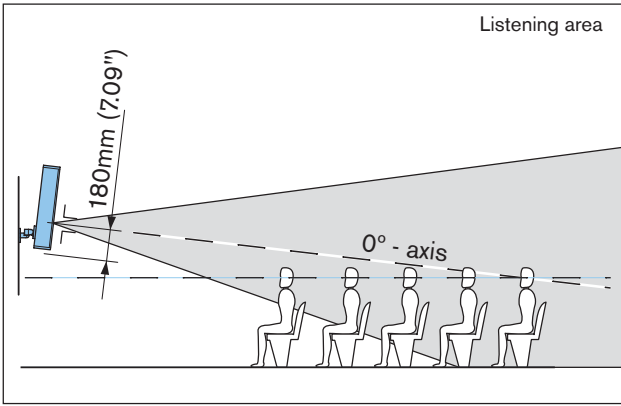
Column Loudspeakers



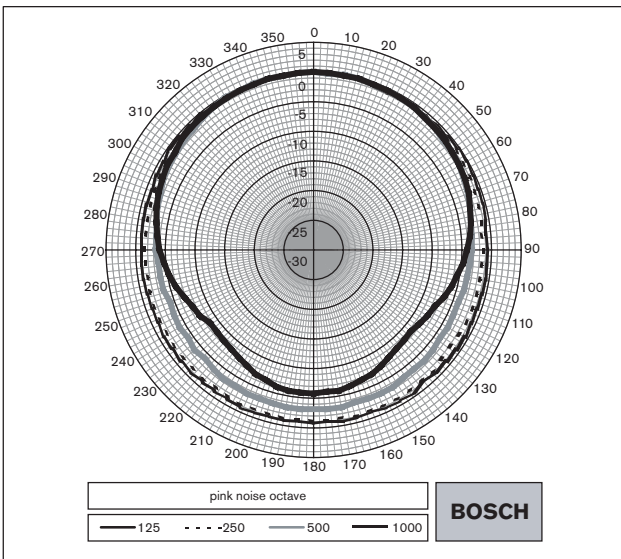
en | Instructions for use
LA1-UM20E
LA1-UM40E



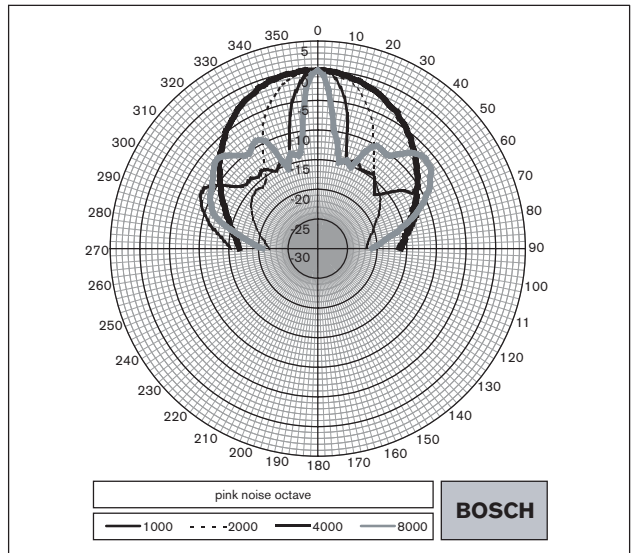
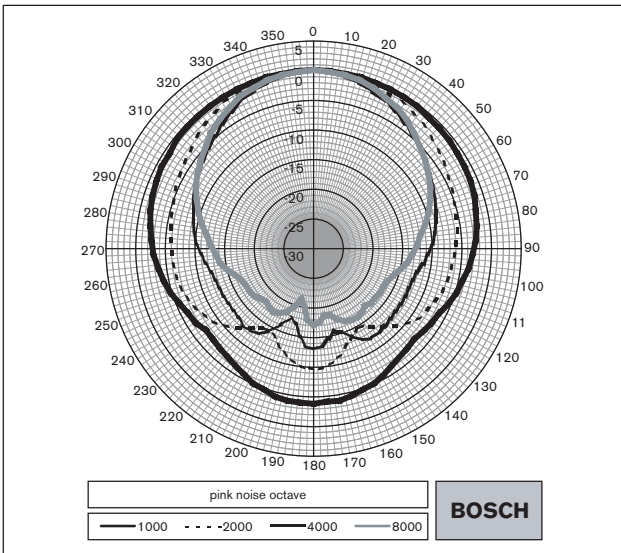
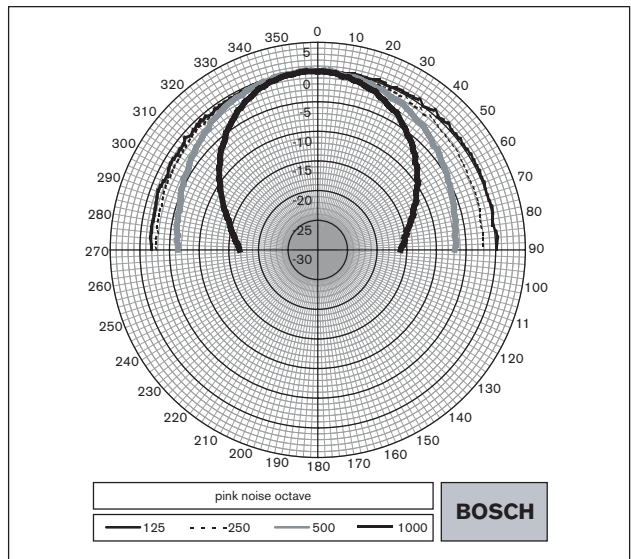
LA1-UM20E



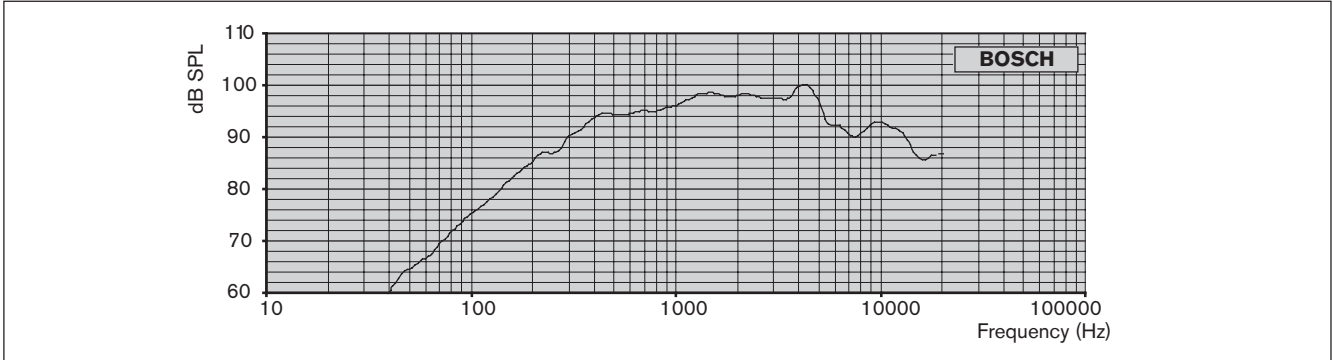
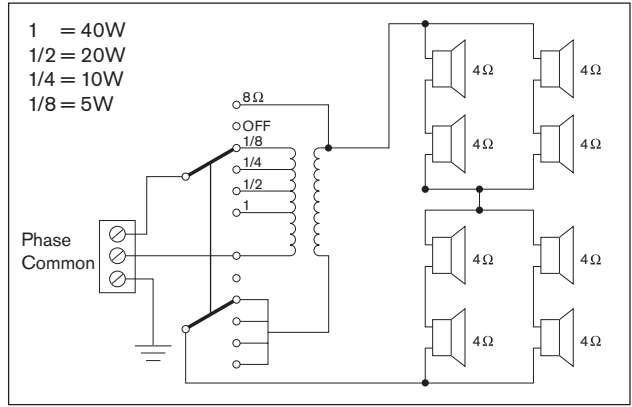
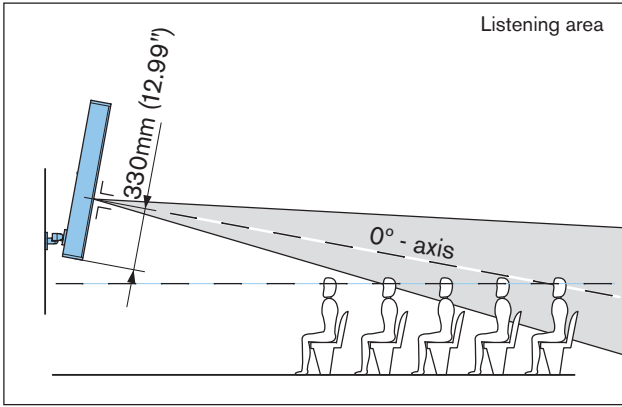
Horizontal



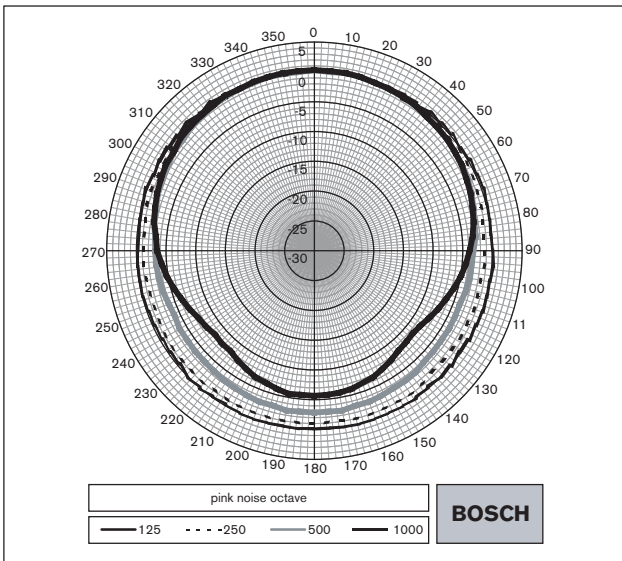
Vertical



LA1-UM40E



Horizontal



Vertical

