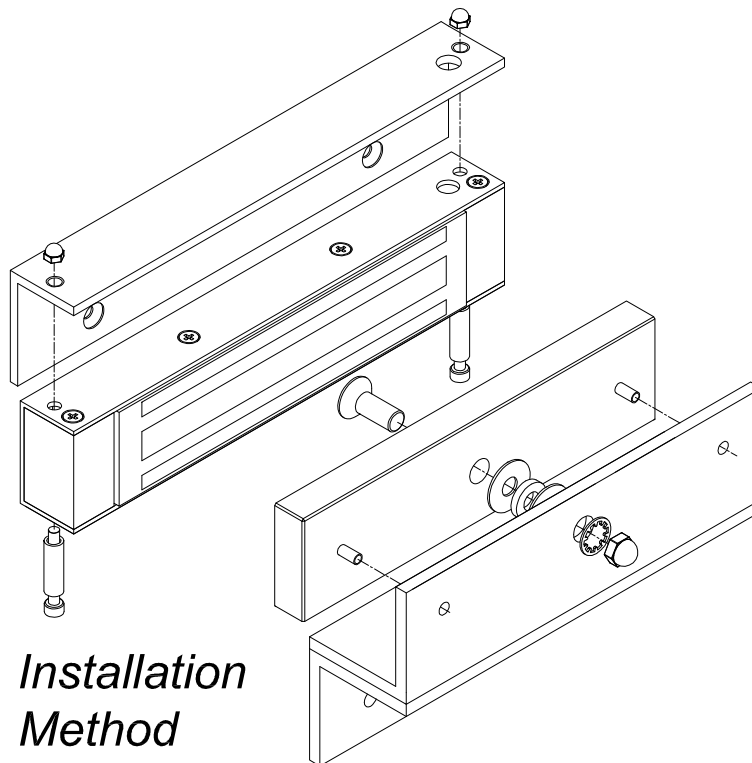
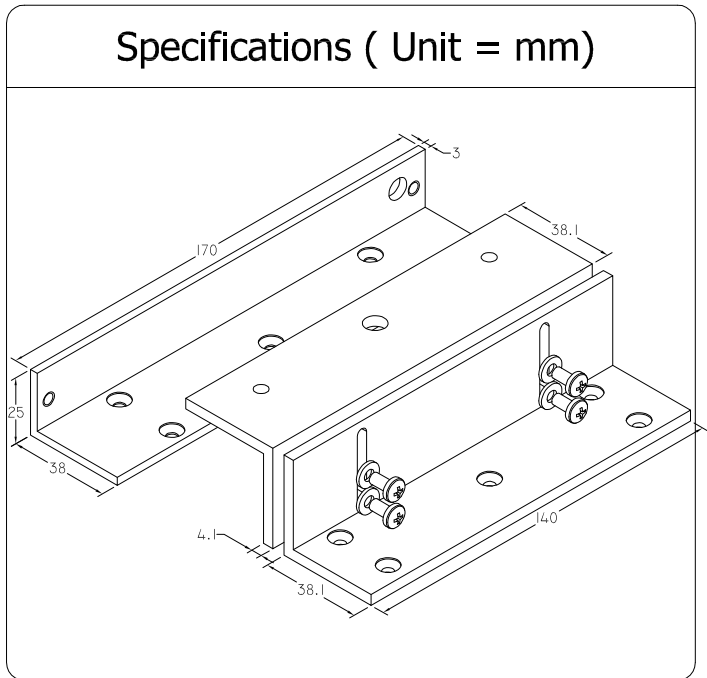
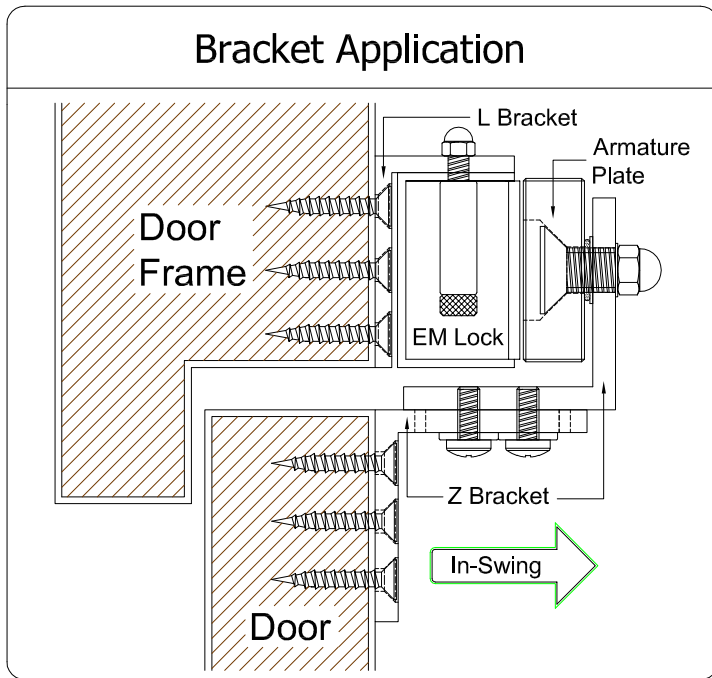


## EM300 - ZL Bracket

( In - Swing Door Application )



**SECURITY . QUALITY . RELIABILITY**